

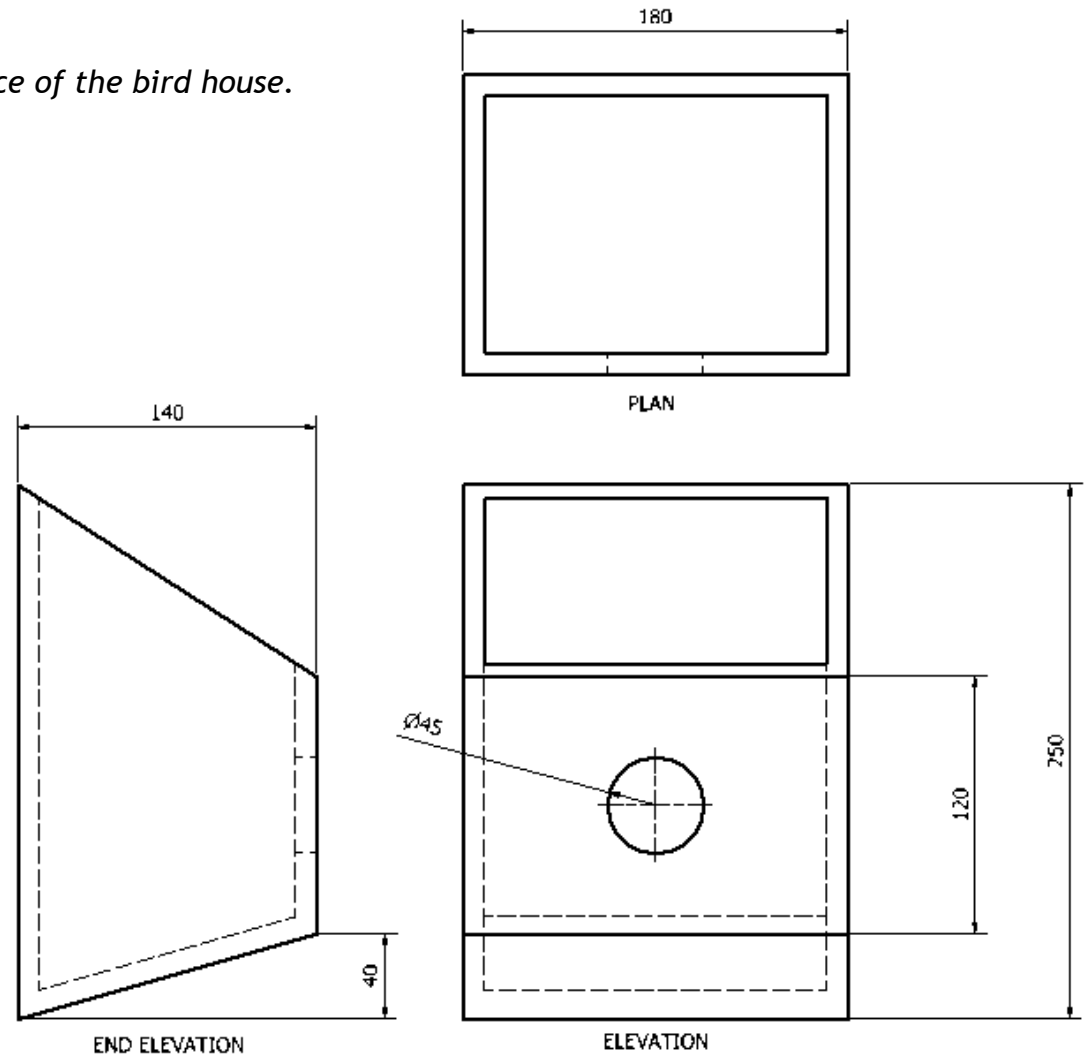
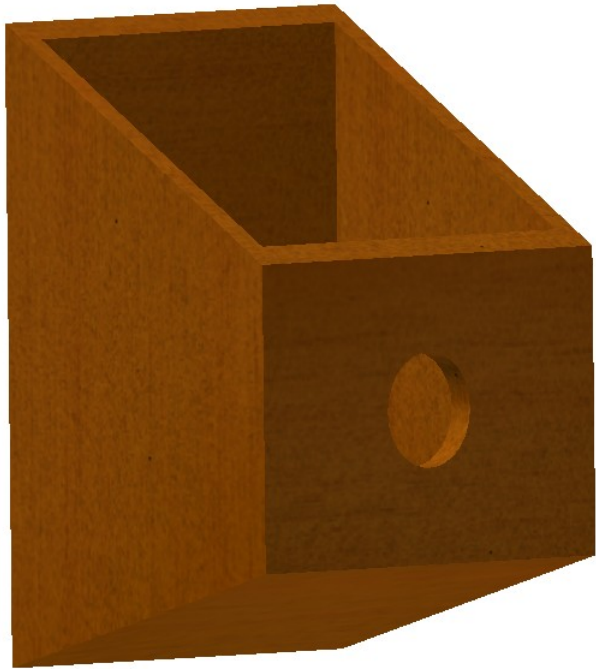
# 1. Bird house

A pictorial view of a bird house is shown below. The lid has been removed for clarity.

Using the orthographic drawing, write a modelling plan for your partner. You are not allowed to show them your card—only your written instructions. Your modelling plan should be detailed enough for your partner to create the bird house without further instruction i.e. Should include **ALL** the relevant sizes.

*Additional information:*

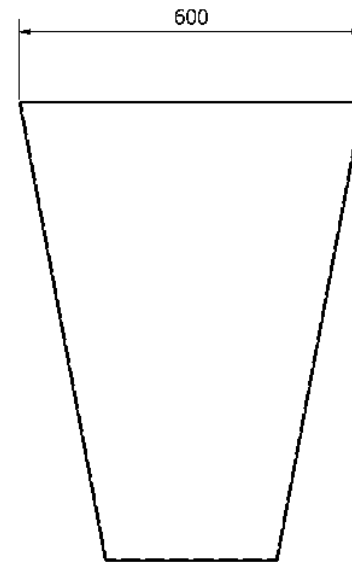
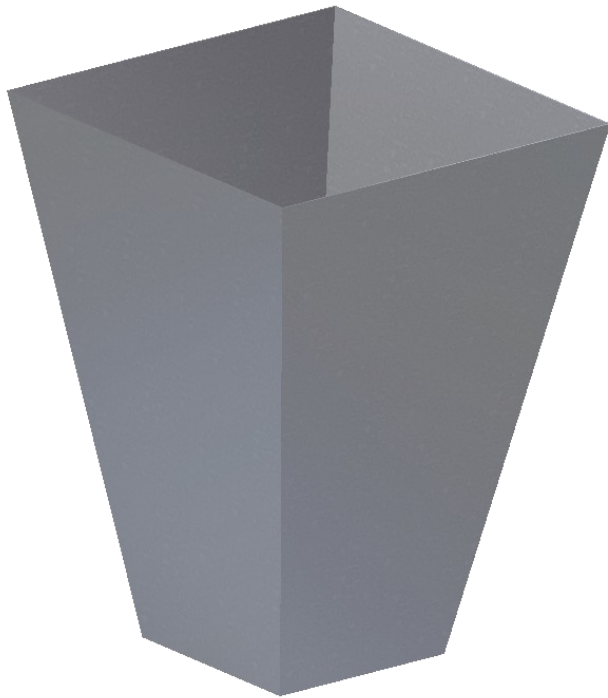
*Material thickness is 10mm. The hole is centred on the front surface of the bird house.*



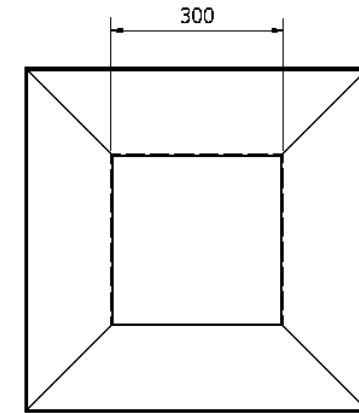
# 2. Garden Planter

A pictorial view of a garden planter is shown below. It is made from sheet metal 3mm thick.

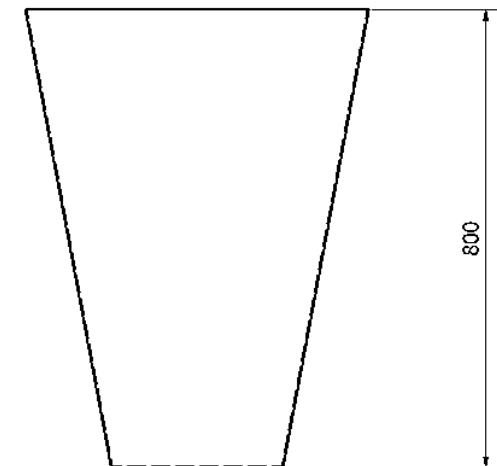
Using the orthographic drawing, write a modelling plan for your partner. You are not allowed to show them your card—only your written instructions. Your modelling plan should be detailed enough for your partner to create the planter without further instruction i.e. Should include **ALL** the relevant sizes.



END ELEVATION



PLAN

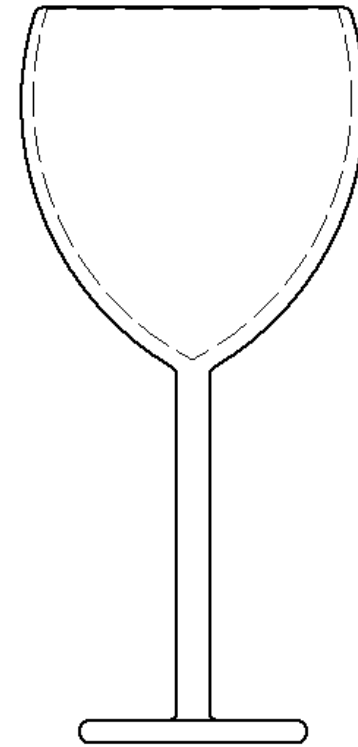


ELEVATION

# 3. Wine Glass

A pictorial view of a wine glass is shown below.

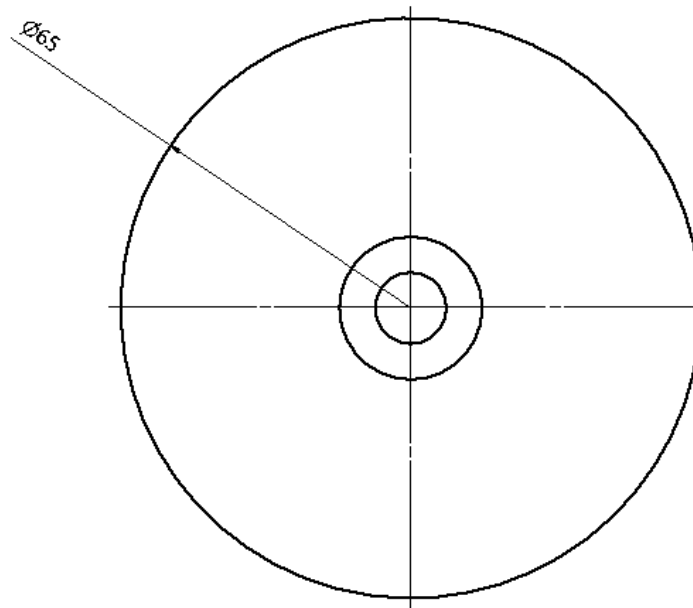
Only the top section of the glass is hollow i.e. the stem and base are solid. Write a modelling plan for your partner. You are not allowed to show them your card—only your written instructions. You do not have to include sizes for this example. All of the edges have a small fillet for safety reasons.



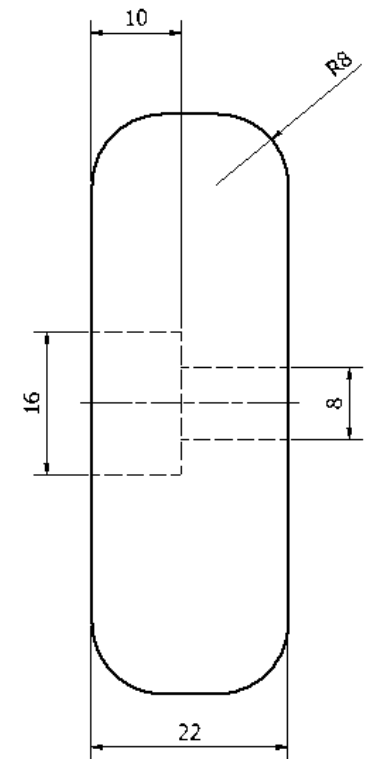
# 4. Skateboard Wheel

A pictorial view of a skateboard wheel is shown below.

Using the orthographic drawing, write a modelling plan for your partner. You are not allowed to show them your card—only your written instructions. Your modelling plan should be detailed enough for your partner to create the wheel without further instruction i.e. Should include **ALL** the relevant sizes.



ELEVATION

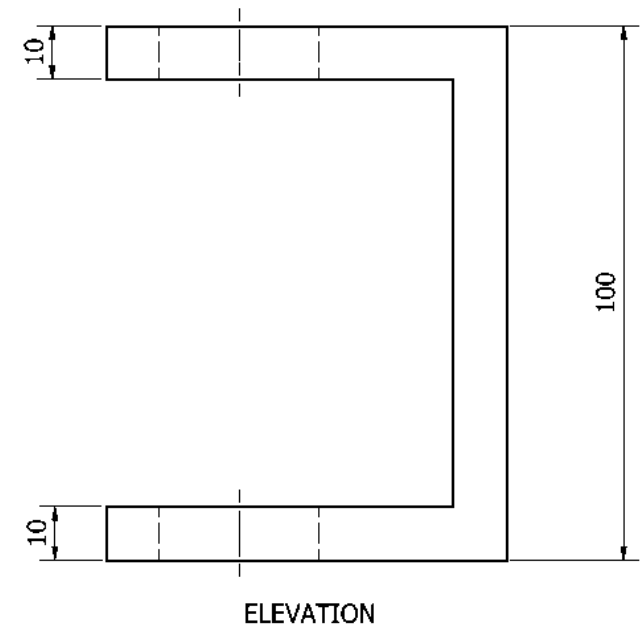
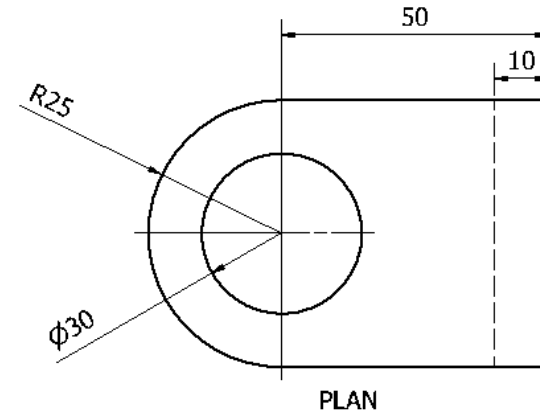
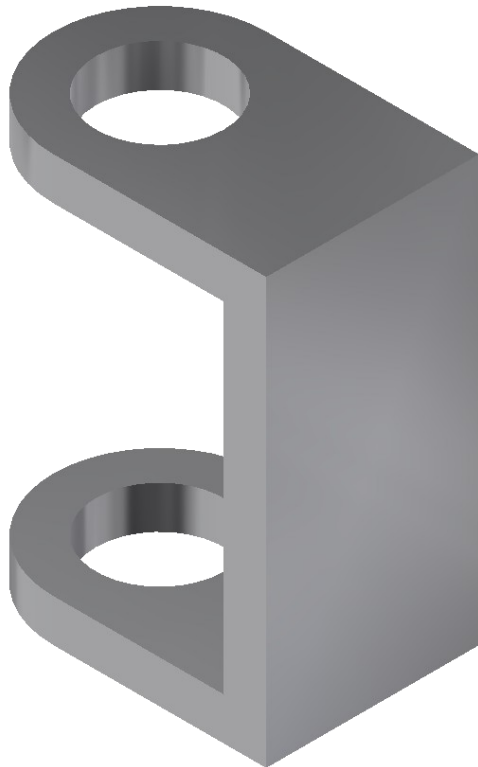


END ELEVATION

# 5. Bracket

A pictorial view of a bracket is shown below.

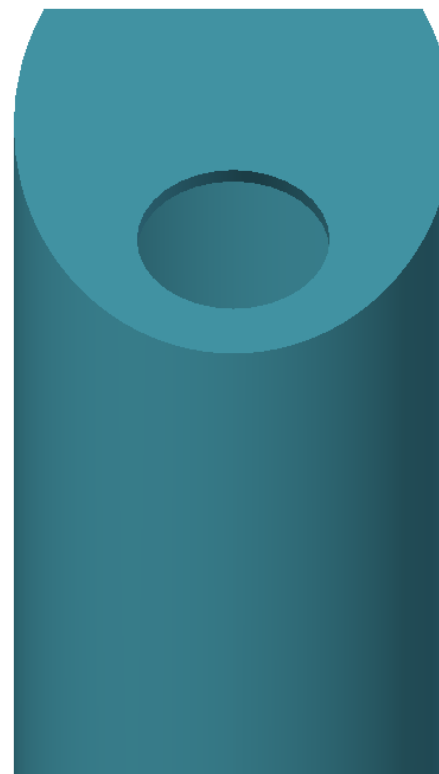
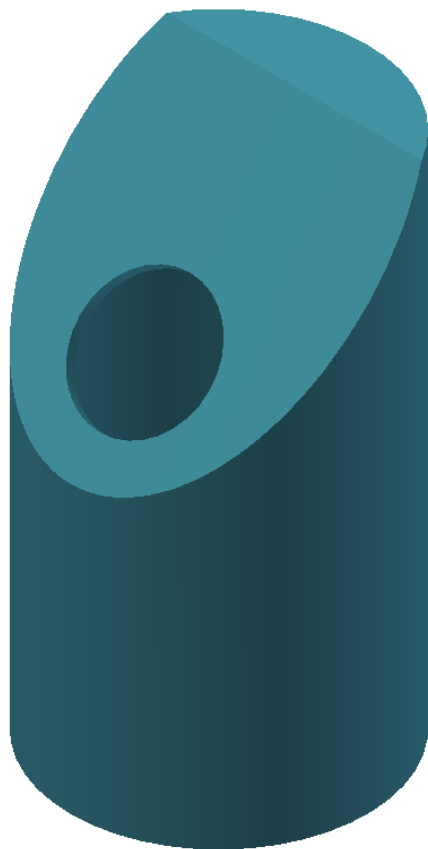
Using the orthographic drawing, write a modelling plan for your partner. You are not allowed to show them your card—only your written instructions. Your modelling plan should be detailed enough for your partner to create the bracket without further instruction i.e. Should include **ALL** the relevant sizes.



# 6. Bin

A pictorial view and an elevation of a recycling bin is shown below.

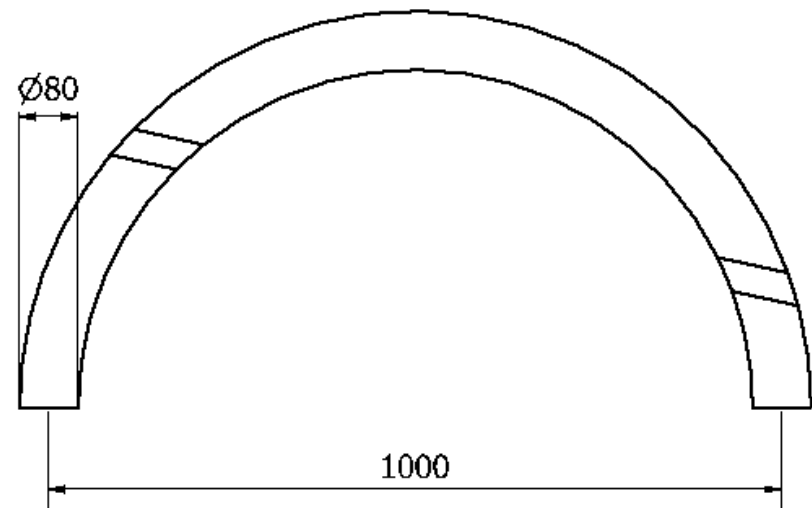
Write a modelling plan for your partner. You are not allowed to show them your card—only your written instructions. The bin is hollow inside and the hole is on the sloping surface. You do not have to include sizes for this example.



# 7. Chair Arm

A pictorial view of the arm of a chair is shown below. It is made from a round metal tube which has been bent into shape. The two slots in the arm hold the bottom of the chair in position. The size and position of these slots is not important but they do have to be modelled.

Using the orthographic drawing, write a modelling plan for your partner. You are not allowed to show them your card—only your written instructions. Your modelling plan should be detailed enough for your partner to create the arm without further instruction i.e. Should include **ALL** the relevant sizes.



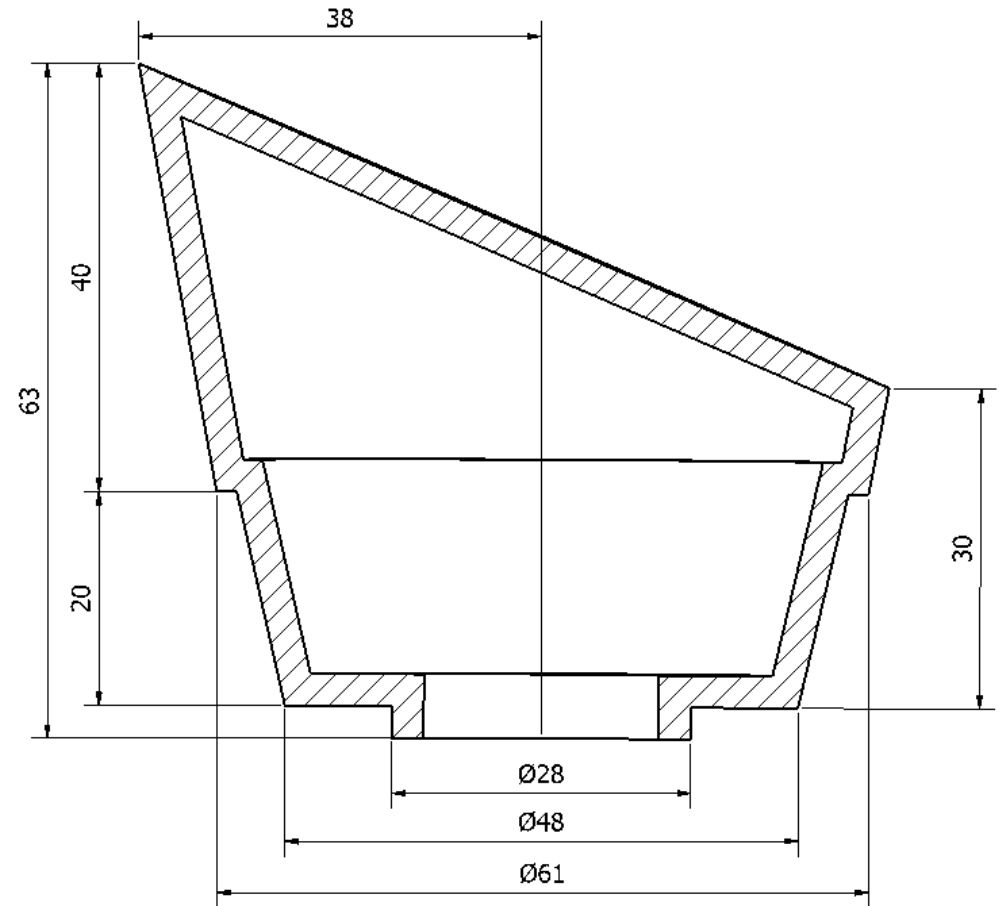
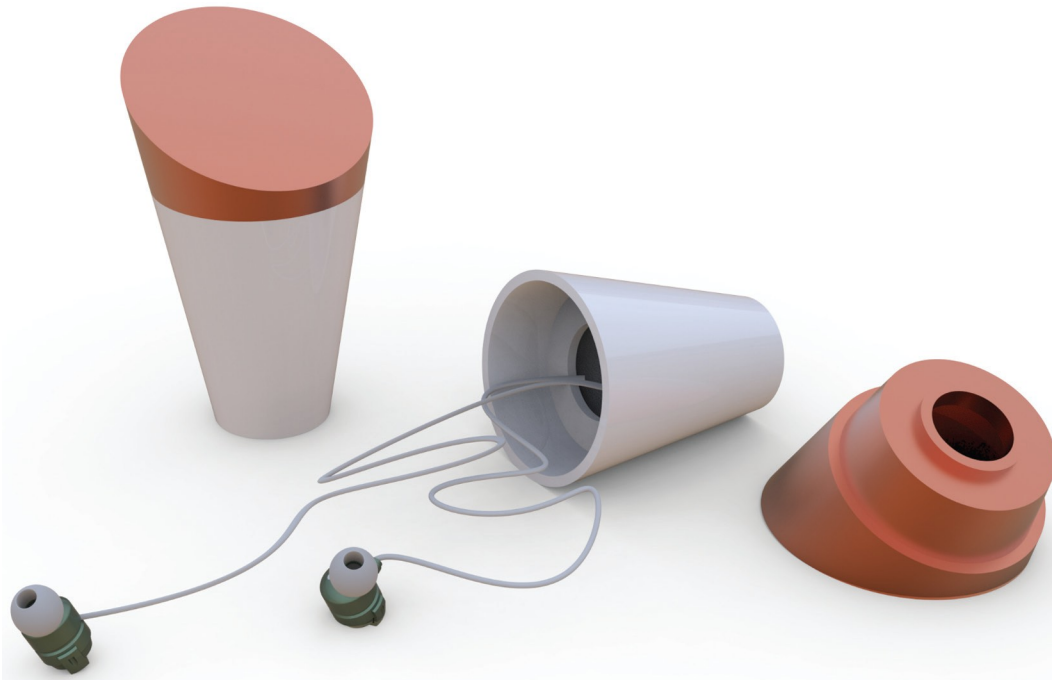
# 8. Earphone Storage Cone

A pictorial view of a cone used to store earphones and other cables is shown below. You will **only be modelling the lid** which is shown in orange.

Using the sectional end elevation, write a modelling plan for your partner. You are not allowed to show them your card—only your written instructions. Your modelling plan should be detailed enough for your partner to create the storage cone without further instruction i.e. Should include **ALL** the relevant sizes.

*Additional Information:*

*Material thickness = 3mm.*

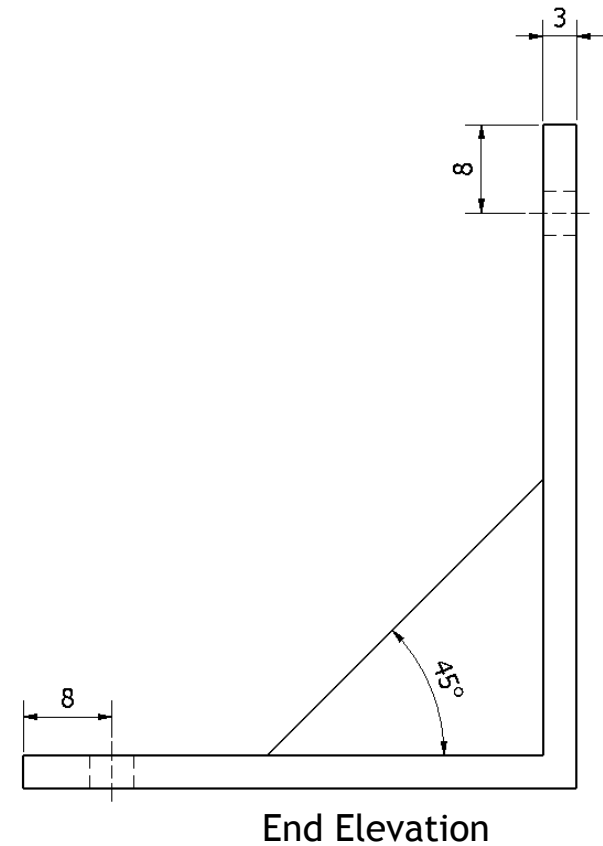
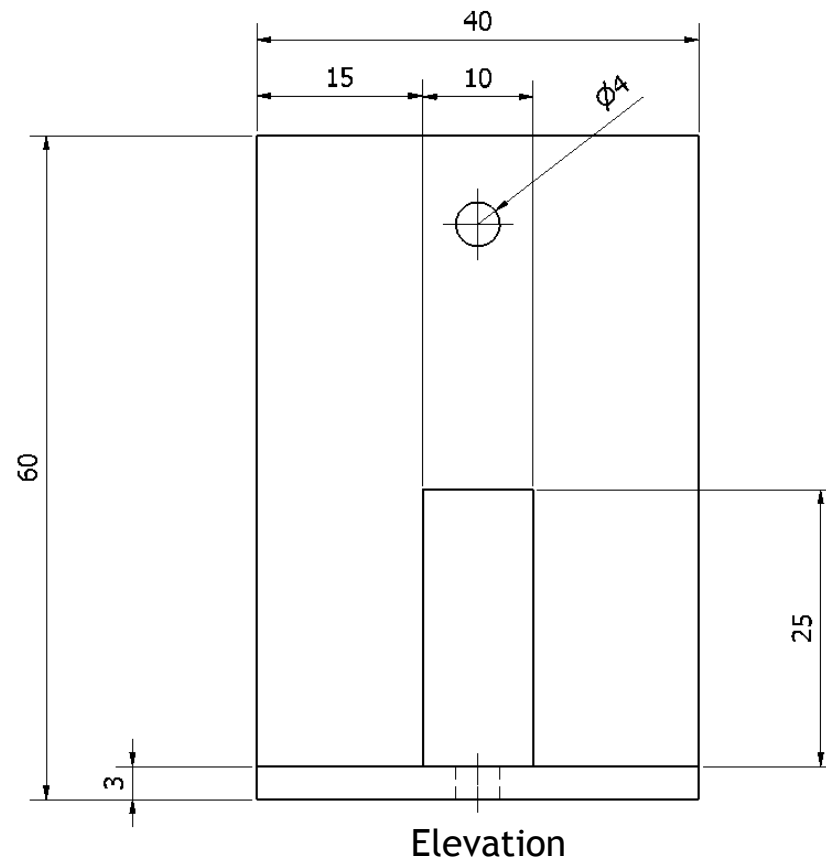
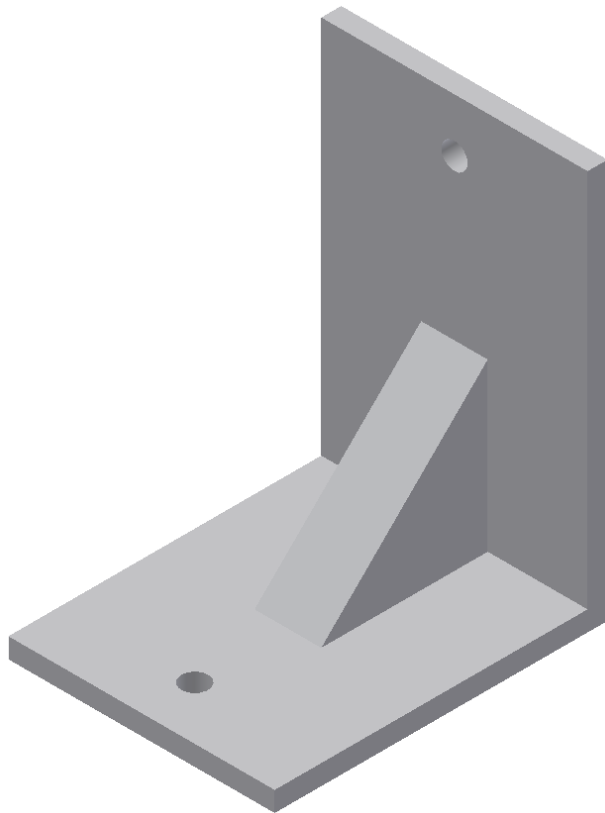




# 9. Wall Bracket

A pictorial view of a wall bracket is shown below.

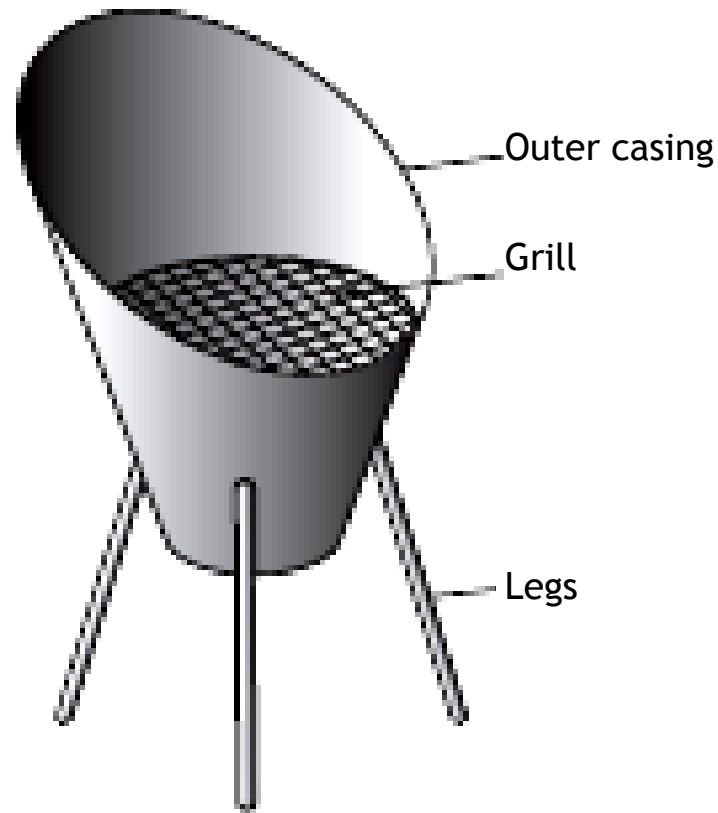
Using the orthographic drawing, write a modelling plan for your partner. You are not allowed to show them your card—only your written instructions. Your modelling plan should be detailed enough for your partner to create the bracket without further instruction i.e. Should include **ALL** the relevant sizes.



# 10. Barbecue

A pictorial view of a barbecue which is made from sheet metal is shown below.

Write a modelling plan for your partner. You are not allowed to show them your card—only your written instructions. You do not have to include sizes for this example but should include relevant sketches to help your partner to model the item. **Do not model the legs or grill—only the outer casing.** The bottom of the outer casing is flat.



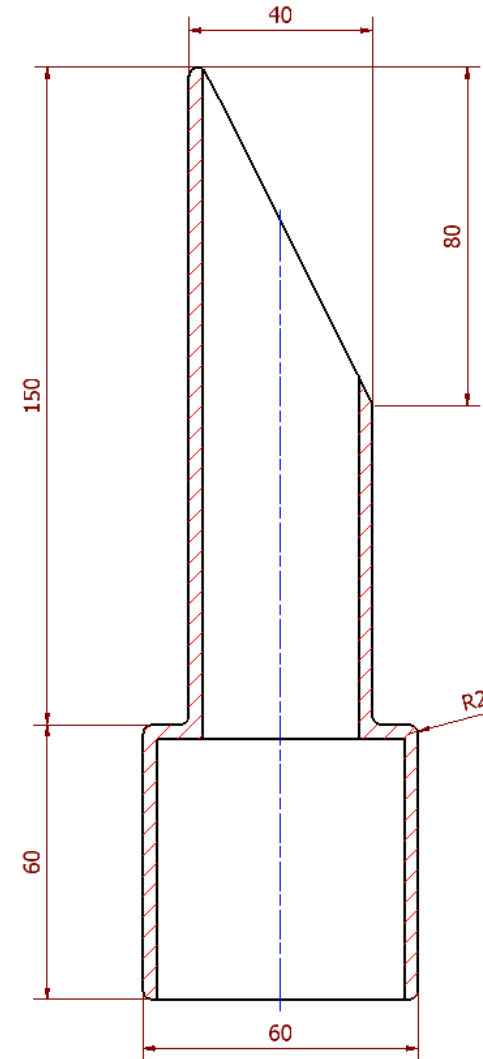
# 11. Vacuum Attachment

A pictorial view of a cleaning attachment for a vacuum cleaner is shown below.

Using the sectional end elevation, write a modelling plan for your partner. You are not allowed to show them your card—only your written instructions. Your modelling plan should be detailed enough for your partner to create the attachment without further instruction i.e. Should include **ALL** the relevant sizes.

Additional Information:

Material thickness = 3mm.



Sectional end elevation

# 12. Till Roll Holder

A pictorial view of a till roll holder is shown below.

Using the orthographic drawing, write a modelling plan for your partner. You are not allowed to show them your card—only your written instructions. Your modelling plan should be detailed enough for your partner to create the holder without further instruction i.e. Should include **ALL** the relevant sizes.

