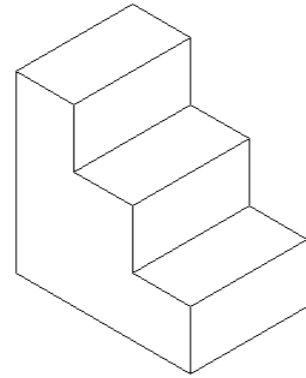


PICTORIAL TYPES

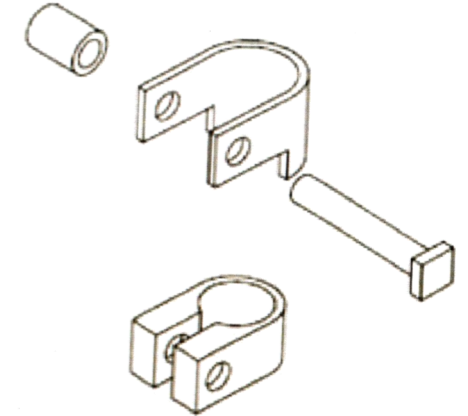
ISOMETRIC DRAWING

Isometric drawing is a method of pictorial drawing where all three dimensions and three surfaces are shown in one view. Isometric means 'having equal measure' and each of the sides are drawn at 30°.



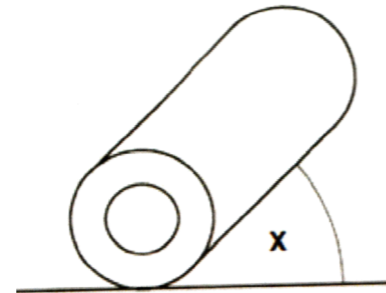
EXPLODED ISOMETRIC DRAWING

An exploded isometric drawing is used to show how parts would be assembled together. They are most commonly found in assembly instruction manuals.



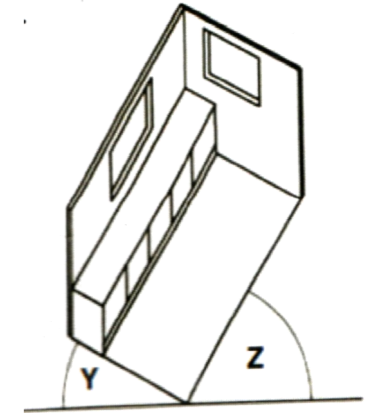
OBLIQUE DRAWING

Oblique drawings are a simple form of pictorial. They are often used because it shows the true front shape of an object. This means that circles and curves can be drawn using a compass. Lines are projected from the front face back at 45°.



PLANOMETRIC DRAWING

Planometric drawings are used by architects, civil engineers and interior designers. Planometric projection is easy to draw and shows clearly what an interior space looks like. It gives a viewing position looking down from above.



ONE AND TWO POINT PERSPECTIVE

Perspective drawings are often used to quickly convey ideas and are often sketched instead of being drawn with drawing equipment. They are often favoured by designers, illustrators and architects as they look realistic and show the shortening of objects as they get closer to the vanishing point.

